



Belser ARTechnic PBe60p



Technical specification

- single chamber press
- charging hole 700 x 480 mm
- maximum tonnage capacity 60 kN (6 t)
- unit pressure 1,71 kg/cm²
- bale dimensions 700 x 500 x 600
- bale weight app. 30 - 70 kg
- Productivity app. 3-4 ballen/h
- frontal loading
- manual bale tying
- automatic bale launch
- supply 400/50 lub 230/50 [V/Hz]
- engine power 1,5 kW
- work cycle 26 seconds
- weight: 500 kg

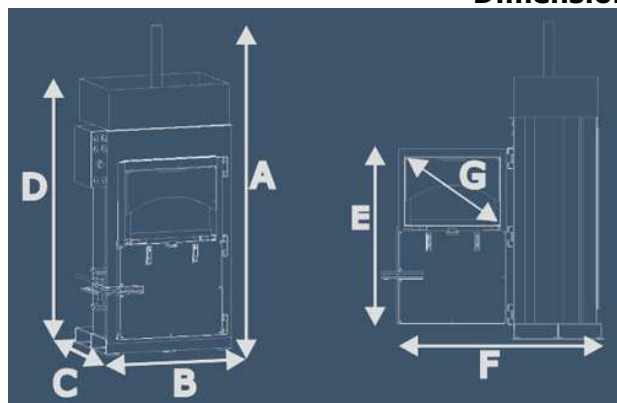
Steering p (PLUS)

- controller PLC
- automatic digital steering
- bale ready signalling

Dokumentation

- the servicing instruction and technical movable documentation
- declaration of WE accordance
- certificates of sub-assembly accordance deciding about quality of work

Dimension PBe60p



Legend	[mm]
A height	2245
B width	1000
C width	750
D transport height	1820
E door height	1180
F depth with open door	1495
G filling inlet	700x480

Gallery



Headquarter

ul. Gen. St. Maczka 9
43-300 Bielsko-Biala
Polen
tel.: +48 (33) 488 31 39
tel.: +48 (33) 488 12 87
tel./fax: +48 (33) 816 01 69
kom.: +48 501 330 786
kom.: +48 509 033 132
kom.: +48 509 033 134
Serwis kom.: +48 509 451 124

E-mail

biuro@artehnic.pl
rluba@artehnic.pl
bartekb@artehnic.pl
p.boenki@artehnic.pl
jskrudlik@artehnic.pl

Our Web Site

www.artehnic.pl
www.belownice.com.pl
www.belowniceuzywane.pl
www.paleciaki.bielsko.pl
www.prasokontenery.pl